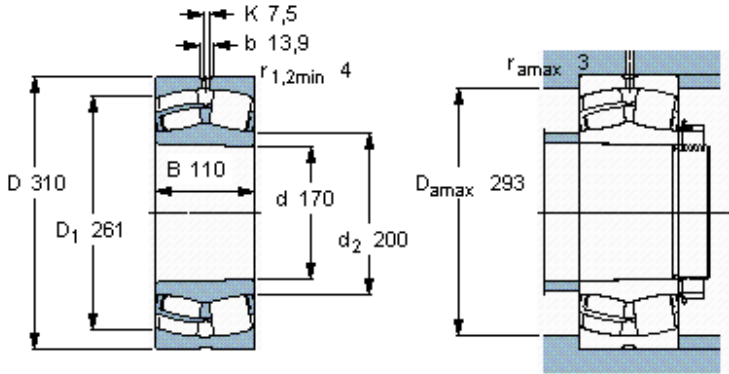


Spherical roller bearings, cylindrical and tapered bore

Principal dimensions			Basic load ratings		Speed ratings	Limiting speed	Designation
d	D	B	dynamic C	static C0	Reference speed		<b>* SKF Explorer bearing</b>
mm			kN		r/min		-
<b>170</b>	310	110	1472	1930	1400	2000	23234 CCK/W33 *



Tapered bore, taper  
1: 12

- Calculation factors**
- e 0,35
  - $Y_1$  1,9
  - $Y_2$  2,9
  - $Y_0$  1,8